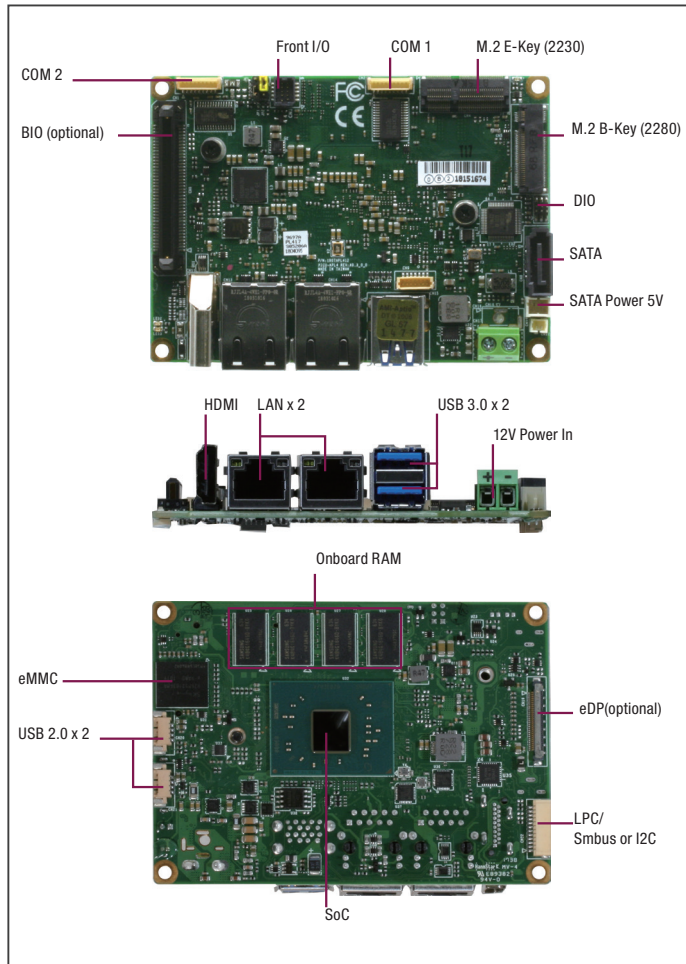


Pico-ITX Board with Intel® Atom™/ Pentium® N4200/ Celeron® N3350 Processor SoC



Features

- Intel® Atom™/ Pentium® N4200/ Celeron® N3350 Processor SoC
- Onboard DDR3L 2GB (Optional to 4GB)
- Onboard Storage eMMC 16GB(Optional to 32GB/64GB/128GB)
- Dual Gigabit Ethernet Support
- HDMI 1.4b, eDP (Optional) for Display
- BIO Reserved (Optional)
- USB 3.0 x 2, USB 2.0 x 2, SATA 6.0Gb/s x 1
- M.2 B Key (2280) x 1, M.2 E Key (2230) x 1



Resolution	HDMI 1.4b: 3840 x 2160@30Hz Internal eDP: 3840 x 2160@60Hz (Optional) DDI (Optional from BIO)
LCD Interface	eDP
I/O	
Storage/SSD	SATA 6.0Gb/s x 1, 5V Power reserved M.2 2280 (B Key) x 1 eMMC 16G (optional to 32/64G)
Ethernet	Realtek 8111G x 2
USB Port	USB 3.0 x 2 Rear IO USB 2.0 x 2 (Internal, co-use with FAN connector)
Serial Port	COM1: RS-232 x 1 COM2: RS-232/422/485 x 1
Audio	—
DIO	4-bit
Expansion Slot	M.2 2230 x 1 (E-Key) BIO x 1 (optional) I2C, Smbus
SIM	—
TPM	—
Touch	—

Specifications

System	
Form Factor	Pico-ITX
CPU	Intel® Pentium® N4200 (4C. 1.1 GHz, up to 2.5 GHz, TDP 6W) Intel® Celeron® N3350 (2C. 1.1 GHz, up to 2.4 GHz, TDP 6W) Intel® Atom® x7-Series (4C. 1.6GHz, up to 2.00 GHz, TDP 12W)
CPU Frequency	Up to 2.4GHz
Chipset	Intel® SoC
Memory Type	Onboard DDR3L 2G (Optional to 4G)
Max. Memory Capacity	Up to 4GB
BIOS	AMI/SPI
Wake On LAN	Yes
Watchdog Timer	255 Levels
Power Requirement	+12V, AT/ATX
Power Supply Type	Lockable & Phoenix Terminal co-lay
Power Consumption (Typical)	Intel®Pentium®N4200@1.1GHz,DDR3L 4GB 1.43A@+12V
System Cooling	Heat-spreader, heatsink & cooler (Optional)
Dimension	3.94" x 2.84" (100mm x 72mm)
Gross Weight	0.55 lb (0.25 kg)
Operating Temperature	32°F ~ 140°F (0°C ~ 60°C)
Storage Temperature	-40°F ~ 176°F (-40°C ~ 80°C)
Operating Humidity	0% ~ 90% relative humidity, non-condensing
MTBF (Hours)	191,895
Certification	CE,FCC
Display	
Chipset	Intel® SoC

Packing List

- PICO-APL4

Optional Accessories

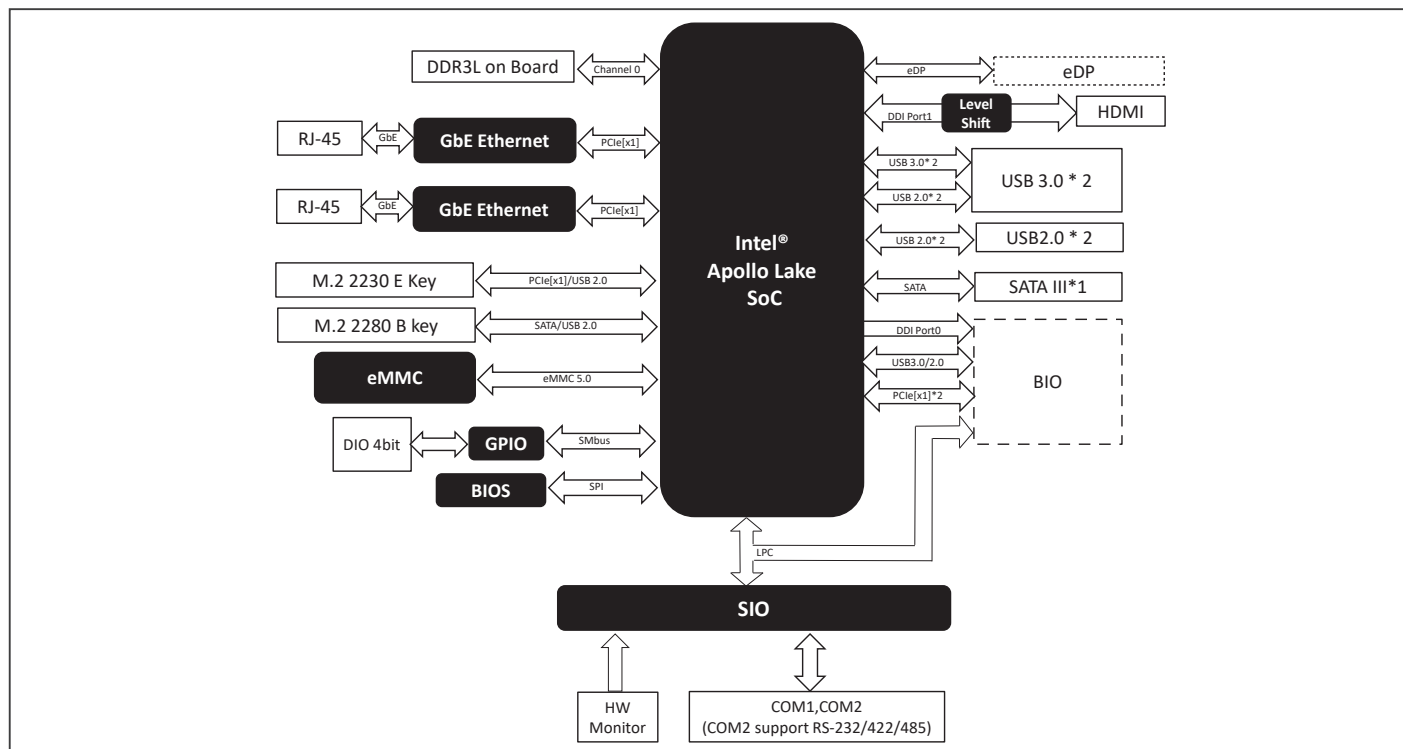
Part Number	Description	Qty
1709070500	(TF) SATA Cable, 50cm	1
1702150155	(TF) SATA Power Cable, 12cm	1
PICO-APL4-HSK01	Heat Sink.100*72*15.5mm.Silver.used with HSP	1
PICO-APL4-HSP01	Heat Spreader, 100 x 72 x 8.5 mm, Silver	1
1700040151	(TF) USB Cable, 15cm	2
1701090122	(TF)Flat Cable, D-Sub 9P(M), 9P 1.0mm Housing, 12cm	2
PICO-APL4-FAN01	CPU Cooler, 100*72*15.5mm, Silver, use w/HSP	1

*FAN Solution will be via one of internal USB port without FAN speed control.

*Please refer to PICO-APL4-SEMI for further option.

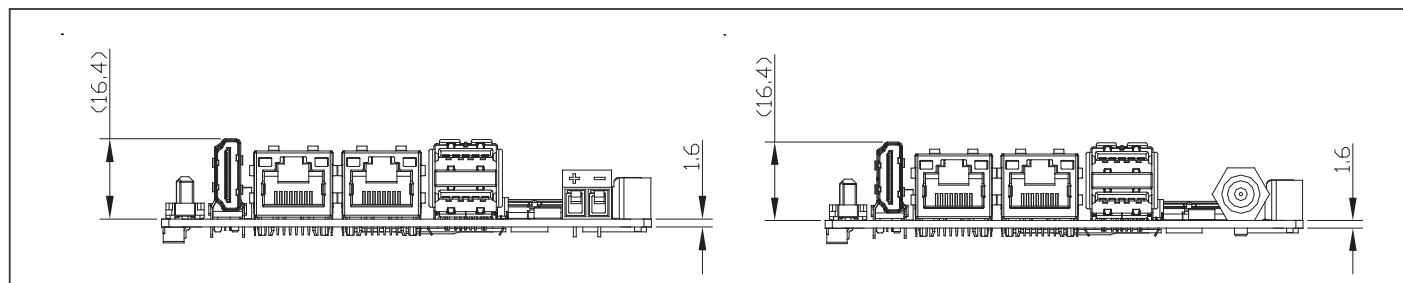
*eDP cable custom by required

Block Diagram



Dimension

Unit: mm



Ordering Information

Part Number	CPU	Memory	Thermal	Display	Storage	LAN	USB	RS-232	RS-232/422/485	Expansion Slot	Power	Temp.	Others
PICO-APL4-A10-0001	Celeron® N3350 (Dual Core)	Onboard DDR3L 2GB	W/o Heatspreader	HDMI x 1	SATA 6.0Gb/s x 1 M.2 2280 (B Key) x 1 eMMC 32GB	GbE x 2	USB 3.0 x 2 (Rear) USB 2.0 x 2 (Internal)	1	1	M.2 2230 (E Key) x 1	+12V (Phoenix Terminal)	0°C ~ 60°C	DIO 4 bit
PICO-APL4-A10-0002	Celeron® N3350 (Dual Core)	Onboard DDR3L 4GB	W/o Heatspreader	HDMI x 1 eDP x 1	SATA 6.0Gb/s x 1 M.2 2280 (B Key) x 1 eMMC 32GB	GbE x 2	USB 3.0 x 2 (Rear) USB 2.0 x 2 (Internal)	1	1	M.2 2230 (E Key) x 1	+12V (Phoenix Terminal)	0°C ~ 60°C	DIO 4 bit
PICO-APL4-A10-0003	Pentium® N4200 (Quad Core)	Onboard DDR3L 4GB	W/o Heatspreader	HDMI x 1	SATA 6.0Gb/s x 1 M.2 2280 (B Key) x 1 eMMC 32GB	GbE x 2	USB 3.0 x 2 (Rear) USB 2.0 x 2 (Internal)	1	1	M.2 2230 (E Key) x 1	+12V (Phoenix Terminal)	0°C ~ 60°C	DIO 4 bit
PICO-APL4-A10-DC04	Celeron® N3350 (Dual Core)	Onboard DDR3L 2GB	W/o Heatspreader	HDMI x 1	SATAIII x 1 M.2 2280 (B Key) x 1 eMMC 32GB	GbE x 2	USB 3.0 x 2 (Rear) USB 2.0 x 2 (Internal)	1	1	M.2 2230 (E Key) x 1	+12V (DC Jack)	0°C ~ 60°C	DIO 4 bit

Remark: cooler is recommended as the thermal solution.